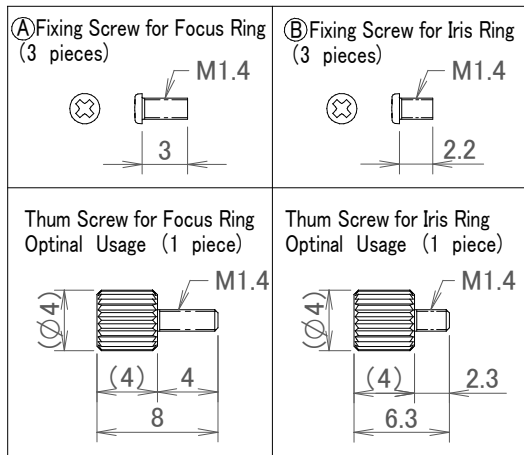
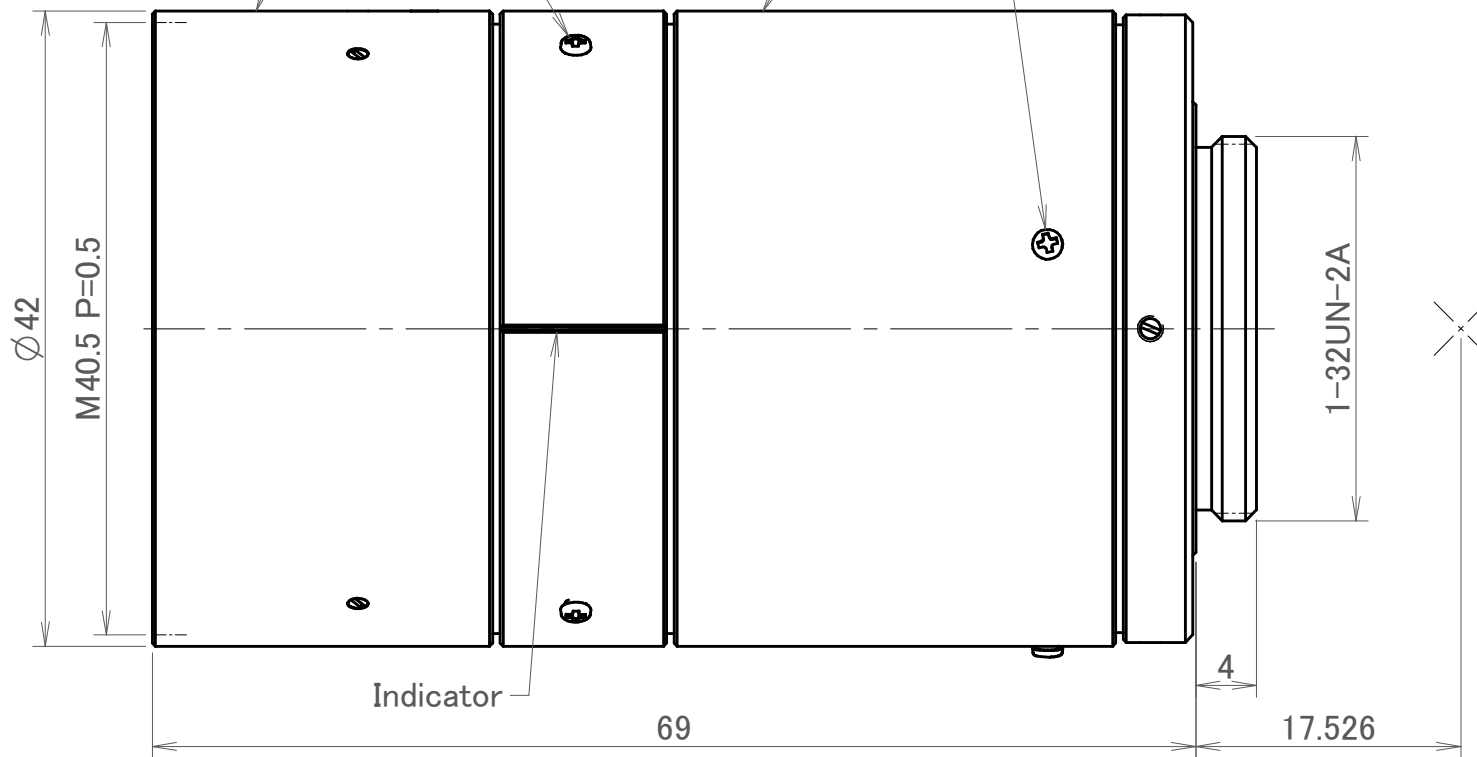


Ⓐ Fixing Screw for Focus Ring
3 positions

Focus Ring

Iris Ring

Ⓑ Fixing Screw for Iris Ring
3 positions



SPEC. INFO	FL-BC5024-9M
	K65684-S001-B33
RICOH Industrial Solutions Inc. Dec.05.2014	