

RICOH

16mm 1:1.4

0.1

0.25

0.5

1

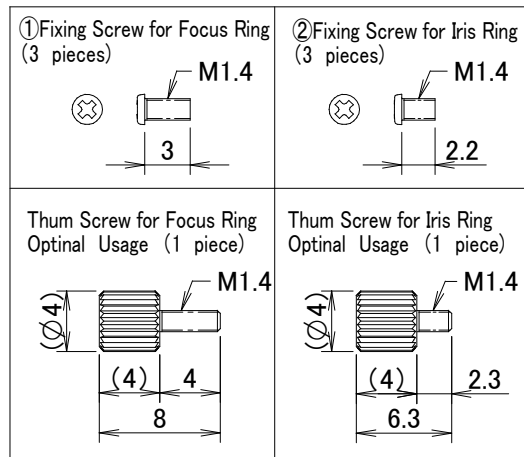
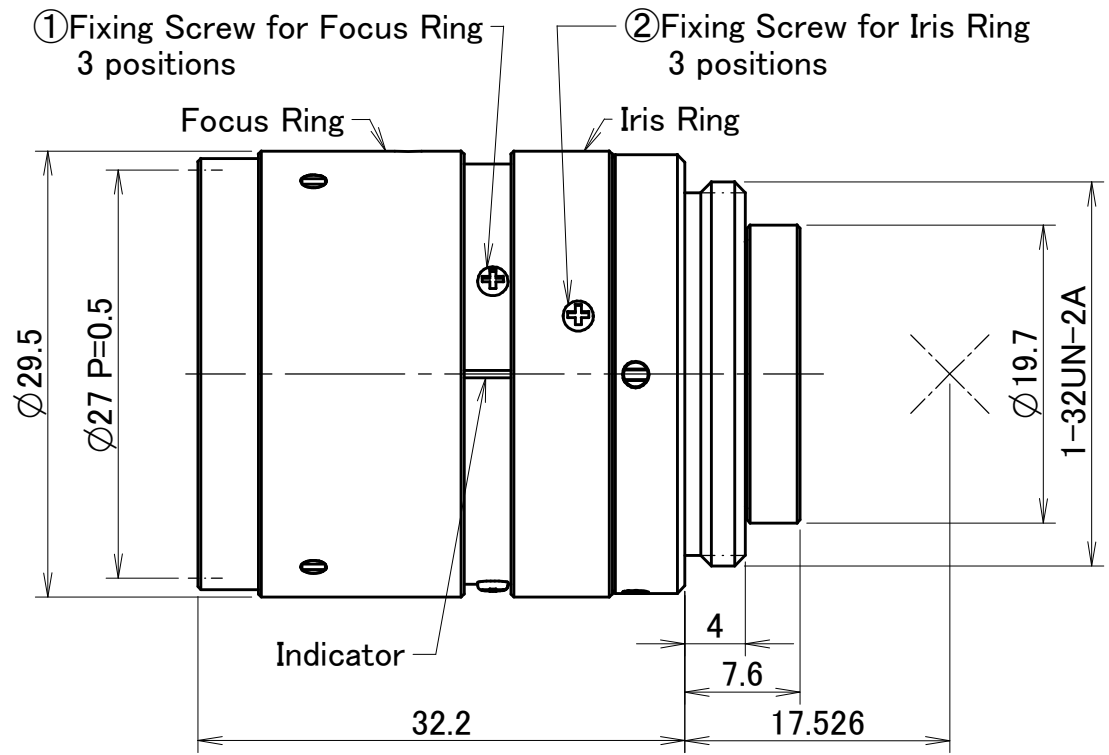
m

1.4 FL-CC1614A-2M

16-1.8 · 4 · 2

Ser. No.

Indicator



SPEC. SHEET	FL-CC1614A-2M
	K65184-X001-B44
RICOH	Oct.10.2013